



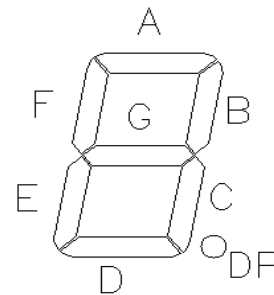
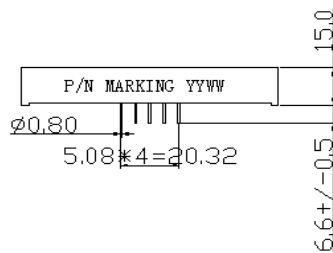
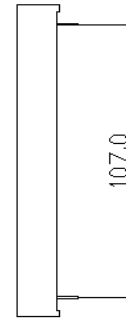
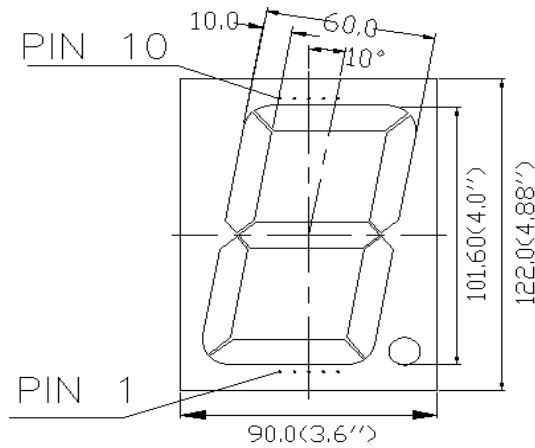
TOYO LED ELECTRONICS LIMITED

<http://www.toyo-led.com>

e-mail:sales@toyo-led.com

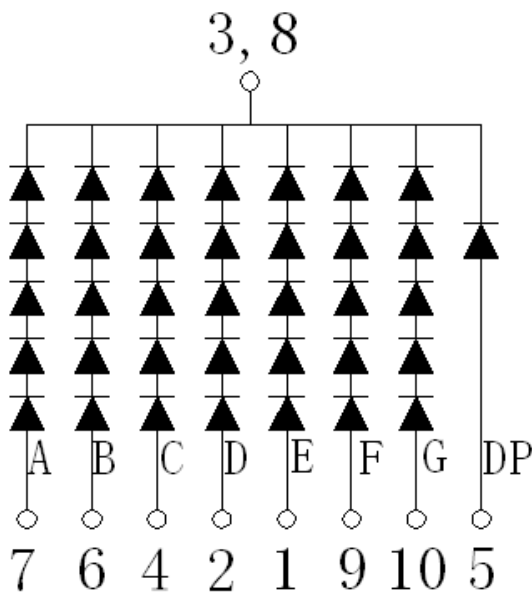
PACKAGE DIMENSION

E14001

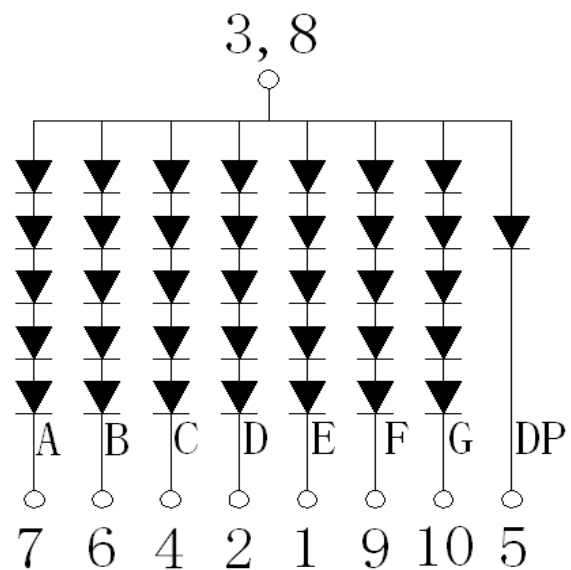


UNIT:MM(INCH) TOLERANCE:±0.25(0.01'')

INTERNAL CIRCUIT DIAGRAM



CODE J1



CODE G1