



# TOYO LED ELECTRONICS LIMITED

Room 1610, Hong Kong Plaza, 188 Connaught Road West, Hong Kong.

Tel : (852) 2540 7288

Fax : (852) 2517 1797

http://www.toyo-led.com

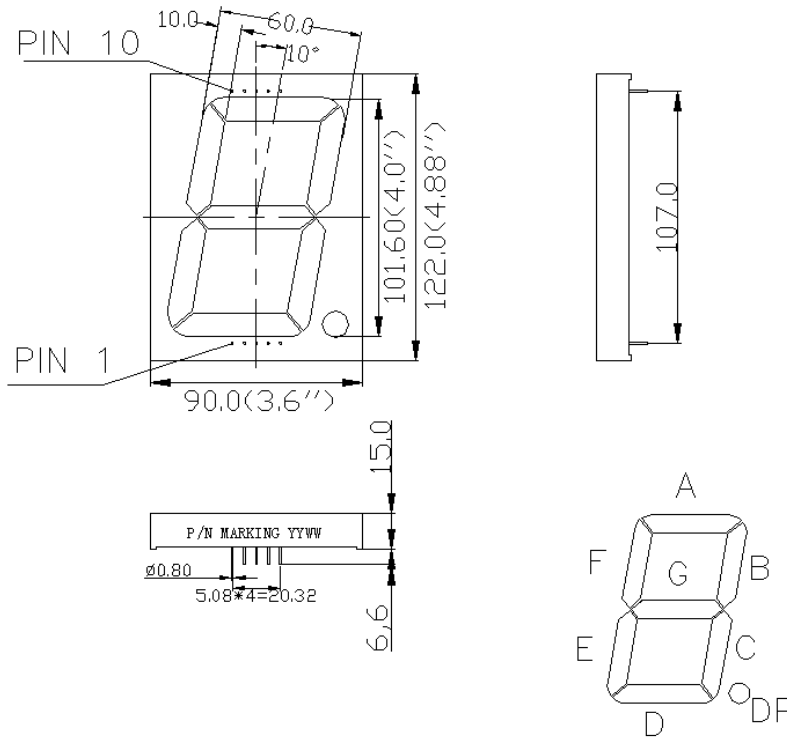
E-mail : sales@toyo-led.com



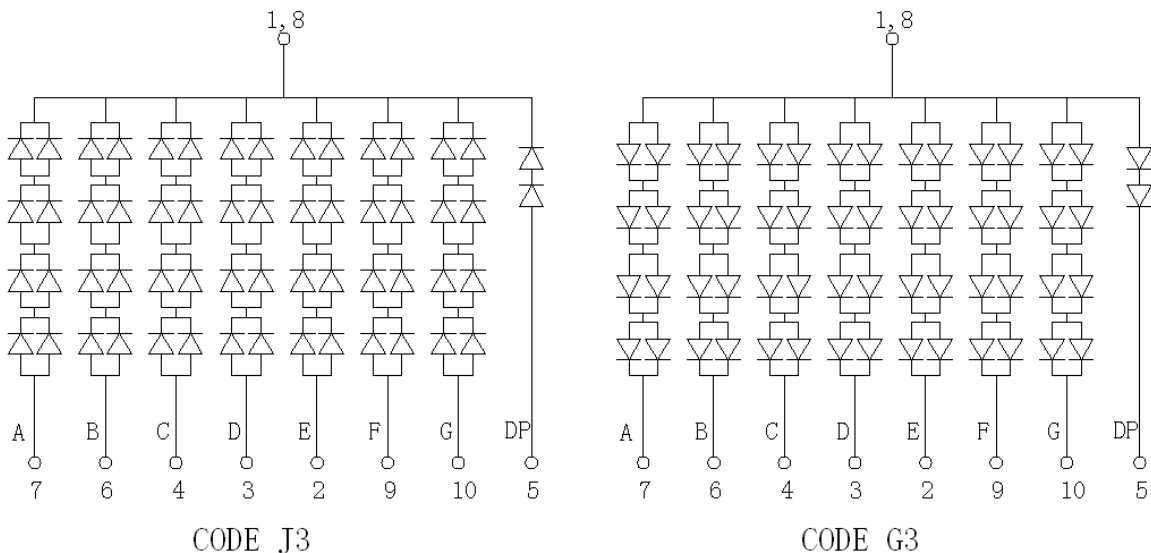
**P/N: E14001-J3 & G3**

1-digit Display Series

## PACKAGE DIMENSIONS



## INTERNAL CIRCUIT DIAGRAM



**NOTES:**

1. All dimensions are in millimeter(inch);
2. Tolerance is  $\pm 0.25\text{mm}(0.01\text{'})$  especially other specified;
3. Pin length, housing color, marking no & circuit diagram can be customized;
4. Specifications are subject to change without notice.