



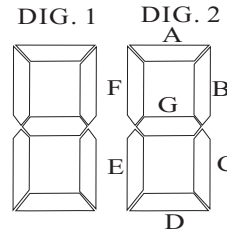
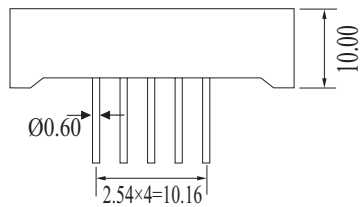
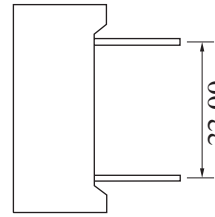
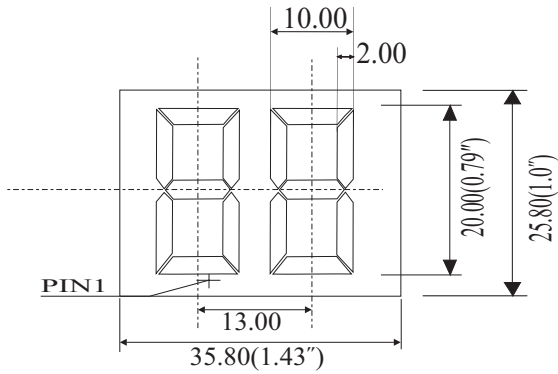
TOYO LED ELECTRONICS LIMITED

<http://www.toyo-led.com>

e-mail: sales@toyo-led.com

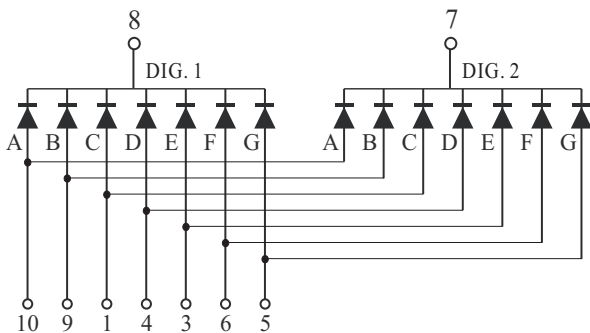
PACKAGE DIMENSION

E20791



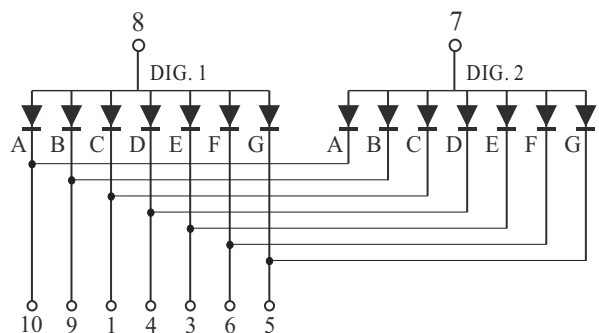
UNIT: MM(INCH) TOLERANCE: $\pm 0.25(0.01")$

INTERNAL CIRCUIT DIAGRAM



2 NO CONNECT

CODE L



2 NO CONNECT

CODE I