



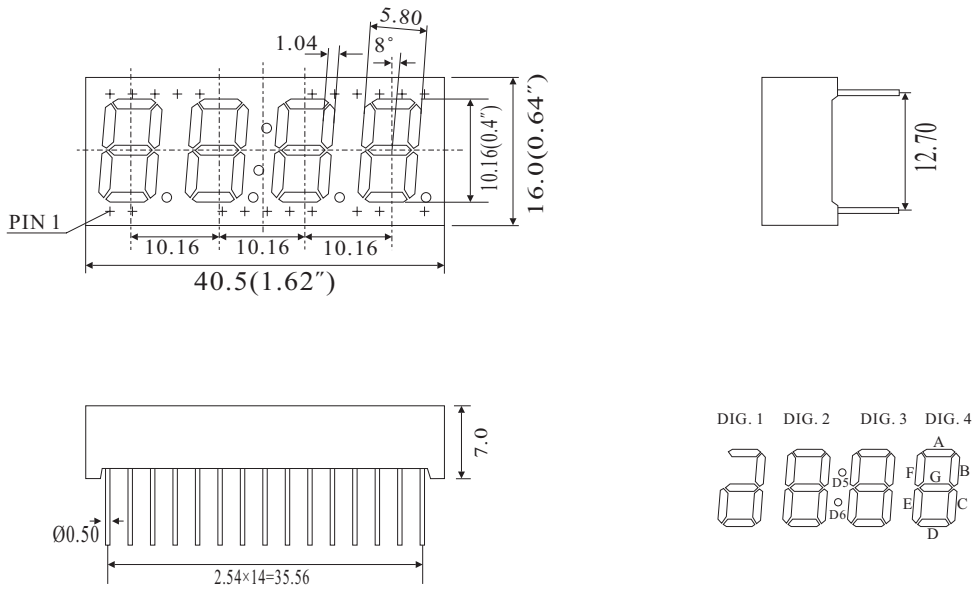
# TOYO LED ELECTRONICS LIMITED

<http://www.toyo-led.com>

e-mail: [sales@toyo-led.com](mailto:sales@toyo-led.com)

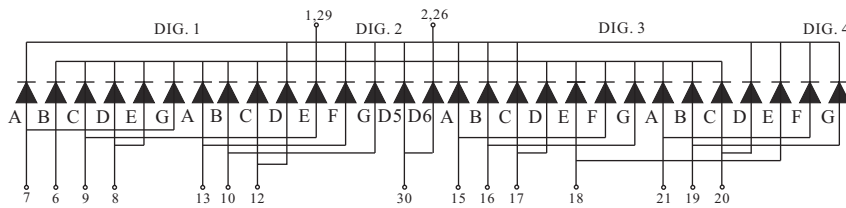
## PACKAGE DIMENSION

E40401

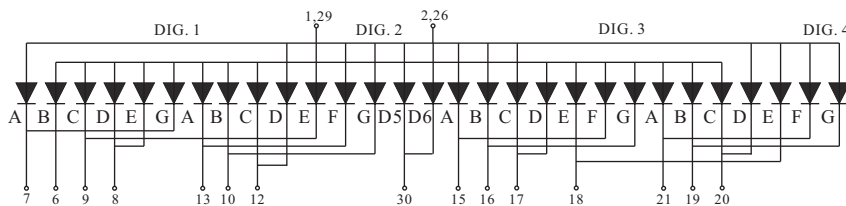


UNIT: MM(INCH) TOLERANCE:  $\pm 0.25(0.01")$

## INTERNAL CIRCUIT DIAGRAM



3, 4, 5, 11, 14, 22, 23, 24 & 25 NO CONNECT 27 & 28 NO PIN  
CODE L6



3, 4, 5, 11, 14, 22, 23, 24 & 25 NO CONNECT 27 & 28 NO PIN  
CODE I6