



TOYO LED ELECTRONICS LIMITED

Room 1610, Hong Kong Plaza, 188 Connaught Road West, Hong Kong.

Tel : (852) 2540 7288
http://www.toyo-led.com

Fax : (852) 2517 1797
E-mail : sales@toyo-led.com



P/N: TY-302UA1T50-600BTB

3mm Round Type LEDs Series

SPECIFICATION FOR CUSTOMER APPROVAL

P/N: TY-302UA1T50-600BTB

DATE : March 20, 2010

PREPARED BY : PETER SO

CONFIRMED BY : EVA CHENG

PLEASE CONFIRM & SIGN BACK THIS SHEET TO US

CUSTOMER: _____

(COMPANY CHOP)

APPROVAL BY: _____

(SIGNATURE)



TOYO LED ELECTRONICS LIMITED

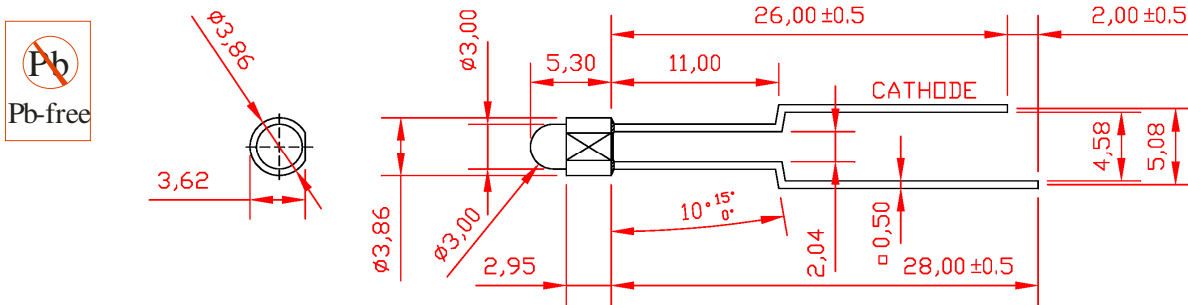
Room 1610, Hong Kong Plaza, 188 Connaught Road West, Hong Kong.
 Tel : (852) 2540 7288 Fax : (852) 2517 1797
 http://www.toyo-led.com E-mail : sales@toyo-led.com



P/N: TY-302UA1T50-600BTB

3mm Round Type LEDs Series

PACKAGE DIMENSION



Selection Guide

Part No.	Dice		Lens Color	Iv(mcd)(If=20mA)			Viewing Angle (20°/2)
	Raw Material	Emitted Color		MIN	TYP.	MAX	
TY-302UA1T50-600BTB	AlGaInP	Ultra Amber	Color Transparent	550	600	750	50°

Absolute Maximum Ratings(Ta=25C°)

Item	Symbol	Maximum	Unit
Power Dissipation	PD	100	mW
Peak Forward Current (1/10 Duty Cycle 0.1ms Pulse Width)	IFP	195	mA
Continuous Forward Current	IFmax	30	mA
Reverse Voltage	VR	5	V
Capacitance	C	15	pF
Operating / Storage Temperature Range	ToPr / Tstg	-40°C to +85°C	
Lead Solder Temperature	Tsol	260°C for 3 seconds	

Electrical / Optical Characteristics(Ta=25C°)

Item	Symbol	Min.	Typ.	Max.	Unit	Condition
Peak Wavelength	λ_p	-	610	-	nm	IF=20mA
Dominant Wavelength	λ_d	604	605	607	nm	IF=20mA
Spectral Line Coordinates	$\Delta\lambda$	-	25	-		IF=20mA
Forward Voltage	VF	1.90	2.10	2.40	V	IF=20mA
Reverse Current	IR	-	-	10	uA	VR=5V

NOTES:

- All dimensions are in millimeter(inch);
- Tolerance is $\pm 0.25\text{mm}(0.01")$ especially other specified; Luminous intensity tolerance is $\pm 10\%$;
- Dominant Emission Wavelength tolerance is $\pm 5\%$; Specifications are subject to change without notice.



TOYO LED ELECTRONICS LIMITED

Room 1610, Hong Kong Plaza, 188 Connaught Road West, Hong Kong.

Tel : (852) 2540 7288
http://www.toyo-led.com

Fax : (852) 2517 1797
E-mail : sales@toyo-led.com



P/N: TY-302UA1T50-600BTB

3mm Round Type LEDs Series

TYPICAL ELECTRO-OPTICAL CHARACTERISTIC CURVE

FIG. 1 Forward Current Vs. Forward Voltage

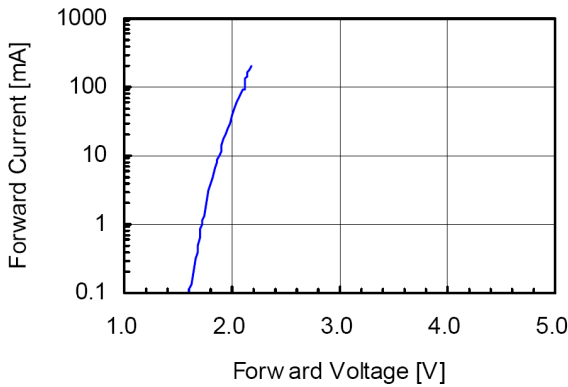


FIG. 2 Relative Intensity Vs. Forward Current

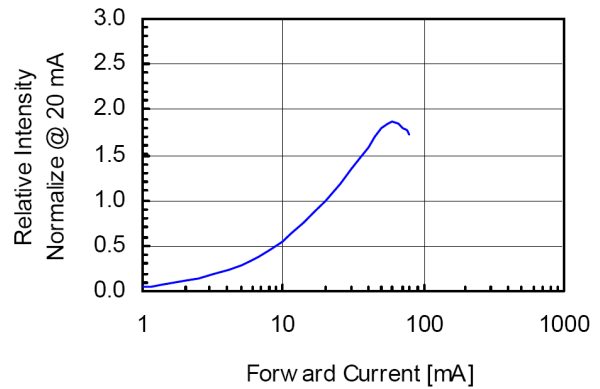


FIG. 3 Forward Voltage Vs. Temperature

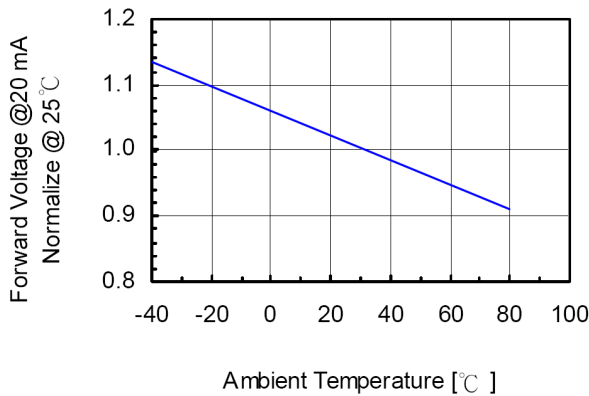


FIG. 4 Relative Intensity Vs. Temperature

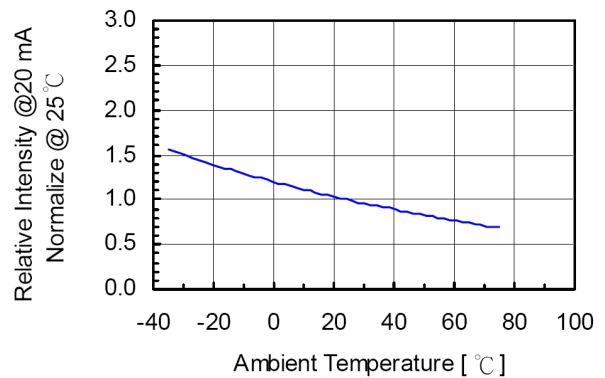
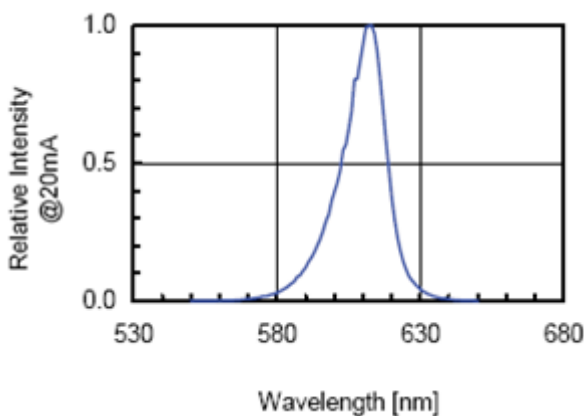


FIG. 5 Relative Intensity Vs. Wavelength





TOYO LED ELECTRONICS LIMITED

Room 1610, Hong Kong Plaza, 188 Connaught Road West, Hong Kong.

Tel : (852) 2540 7288
http://www.toyo-led.com

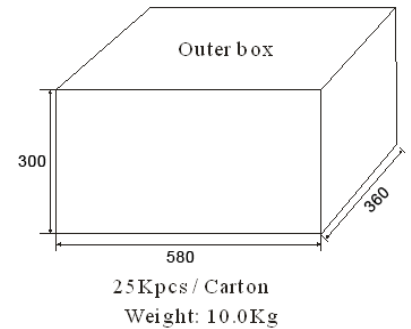
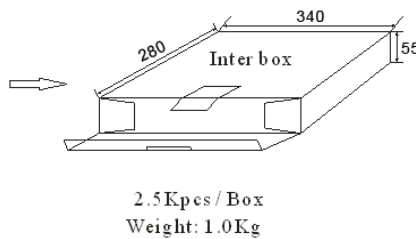
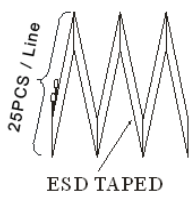
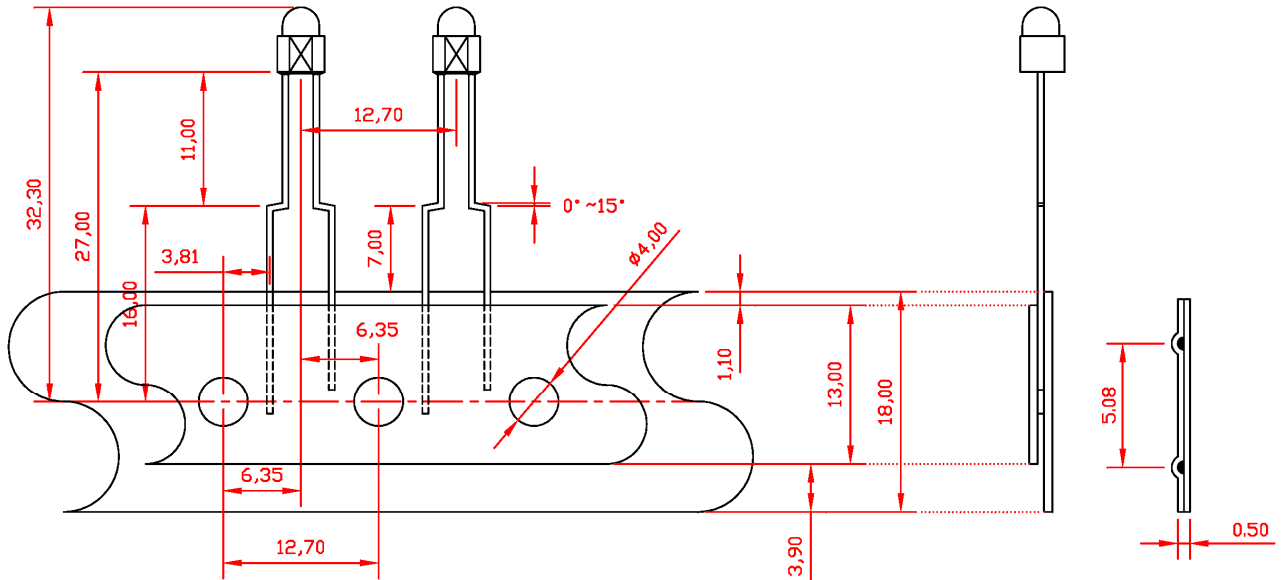
Fax : (852) 2517 1797
E-mail : sales@toyo-led.com



P/N: TY-302UA1T50-600BTB

3mm Round Type LEDs Series

TAPED & PACKAGE DIMENSIONS



Notes:

1. All dimension are in millimeter (inches);
2. Tolerance is $\pm 0.25\text{mm}$ (0.01") unless otherwise specified.
3. Not recommend to solder within 3mm from the resin.
4. Any kind of LEDs can be made in taped & reel.