

DC characteristics at $U_{CC}=3\text{ V}$ и $T=+25\text{ }^{\circ}\text{C}$.



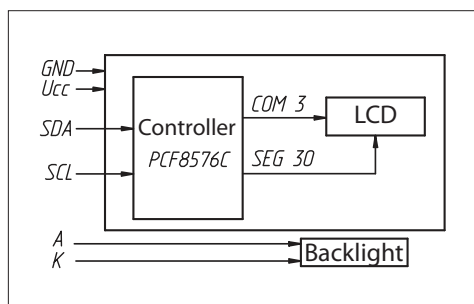
Item	Symbol	Min.	Typ.	Max.	Units
Supply voltage	U_{CC}	2,8	3,0	3,2	V
Consumption current	I_{CC}	-	0,03	-	mA
Input "High" Voltage	U_{IH}	$0,7 \cdot U_{CC}$	-	U_{CC}	V
Input "Low" Voltage	U_{IL}	0	-	$0,2 \cdot U_{CC}$	V
Output "High" Voltage	U_{OH}	$0,8 \cdot U_{CC}$	-	-	V
Output "Low" Voltage	U_{OL}	-	-	0,4	V
Direct current of the backlight**	I_F	-	30	60	mA
Direct Voltage** (at DC of 40 mA)	U_F	4,15	4,35	4,55	V
Max. reverse voltage backlight**	U_R	-	-	8,0	V
Max. discharge current backlight** (Q=10)	I_{FP}	-	-	120	mA
Power backlight**	P_{max}	-	-	0,2	W

Pinout.

Pin	Symbol	Pin assignment
1	SDA	I2C data
2	SCL	I2C clock signal
3	Ucc	Display module power supply
4	GND	Common pin. Ground.
5	A	+ of the backlight power supply
6	K	- of the backlight power supply

**For yellow-green backlight

Flow chart

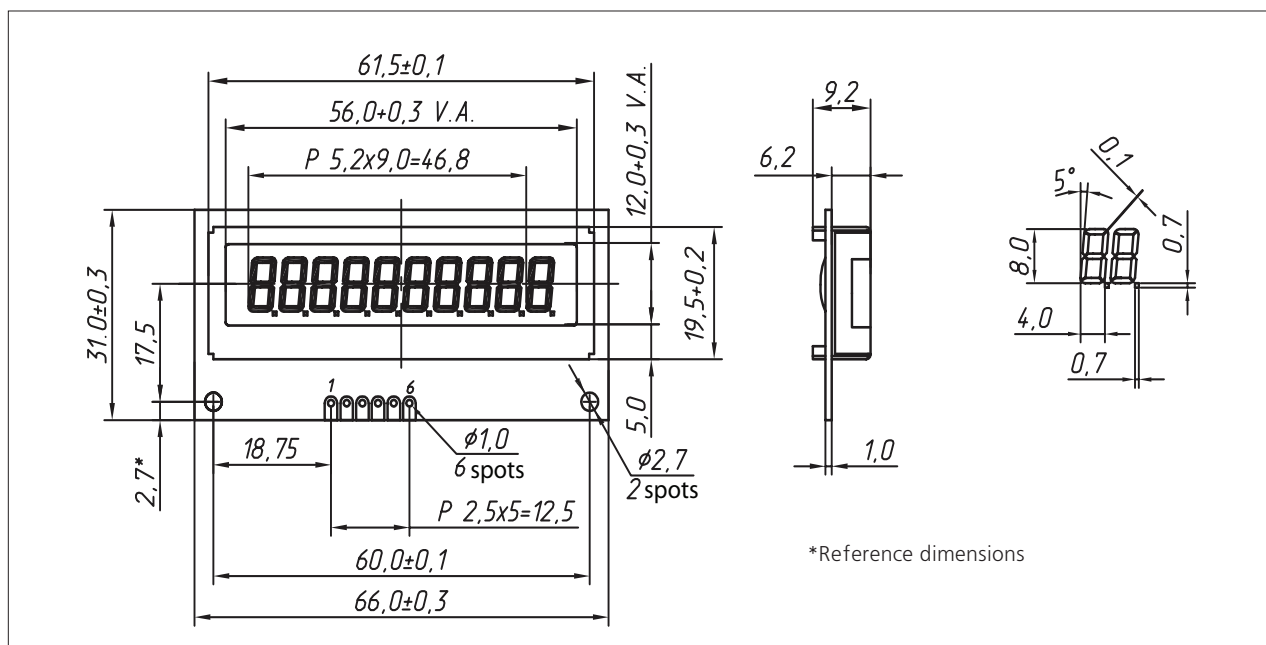


Operating temperature: $-10...+50\text{ }^{\circ}\text{C}$

LCD panel type: TN

Illumination colors: yellow-green ($\lambda = 570\text{ nm}$), amber ($\lambda = 590\text{ nm}$)

MT-10T11 dimensions



*Reference dimensions

■ Revision history

Document version	Date	Alterations	Page
1.0	09/07/2013	Revision 1	



MELT Co.

26 Andronovskoye Chaussee, bld. 5, Moscow

Tel./Fax: +7 (495) 662-44-14 (multichannel)

e-mail: sales@melt.com.ru

<http://www.melt.com.ru>

MELT COPYRIGHT © 2013. All rights reserved. PCB layouts and diagrams contained herein may not be copied, duplicated, or otherwise reproduced with whatsoever means without the prior written consent of MELT Co.

The information contained herein may be modified without prior notice. MELT shall not be liable for any errors that could appear in this document, as well as for any direct or indirect losses attributable to the delivery or use of information contained herein. For the most up-to-date specifications, please, visit our server in Internet at <http://www.melt.com.ru>

MELT continuously seeks to enhance the quality and reliability of its products. However semiconductor products are prone to partial or total breakdown as a result of exposure to static electricity or mechanical loads. Therefore, in using our products, one should avoid situations when a fault or failure of MELT products could result in damage to, or loss of, personal property, or personal injury or death.

Passed for printing on July 09, 2013. A4 format.

Printed in Russia.