

## General description

MT-6464B LCD display module is composed of LSI controller and LCD panel. The display module appearance is shown in Fig.1. K145BГ10 controller manufactured by ANGSTREM OJSC ([www.angstrem.ru](http://www.angstrem.ru)) is an analogue of SAMSUNG KS0108.

Each glowing dot on LCD has its corresponding logic "1" in a RAM cell of the display module.

Dimensions of the display module are shown in Fig. 5.

MT-6464B displays are available in 3V and 5V supply voltage versions.

**Caution! Exposure of the display module to the static electricity of over 30V must be avoided!**

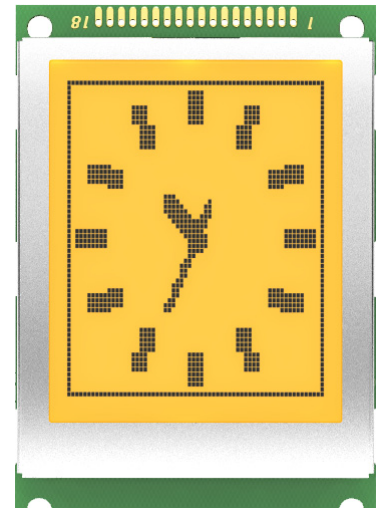


Fig. 1.

## Display module features

- receives instructions from the data bus DB7-DB0 (instructions are listed in Table 3);
- read data from RAM to the bus DB7-DB0
- write data in RAM 8-bit data bus DB7-DB0;
- read the status of a condition on the bus DB7-DB0 (instructions are listed in Table 3);
- backlight and contrast adjustment.

Timing diagrams are shown in Fig.3.

## Contrast adjustment

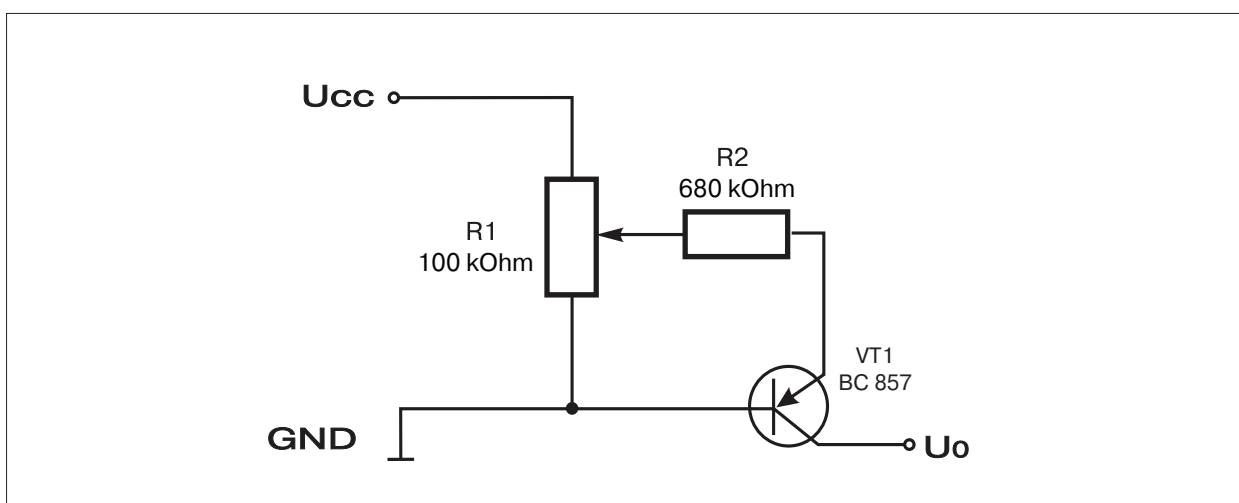


Fig. 2.

Table 1. Dynamic characteristics of the display module.

Item	Symbol	Min.	Max.	Units
Read/Write cycle time	$t_{CYCE}$	1000	–	ns
Read/write enable pulse duration	$PW_{EH}$	450	–	ns
Rise/fall time	$t_{Er}, t_{Ef}$	–	25	ns
Address preset time	$t_{AS}$	140	–	ns
Address hold time	$t_{AH}$	10	–	ns
Data output time	$t_{DDR}$	–	320	ns
Data delay time	$t_{DHR}$	20	–	ns
Data preset time	$t_{DSW}$	200	–	ns
Data hold time	$t_H$	10	–	ns
Minimal pause between the filing of commands or data	$t_W$	8	–	$\mu s$

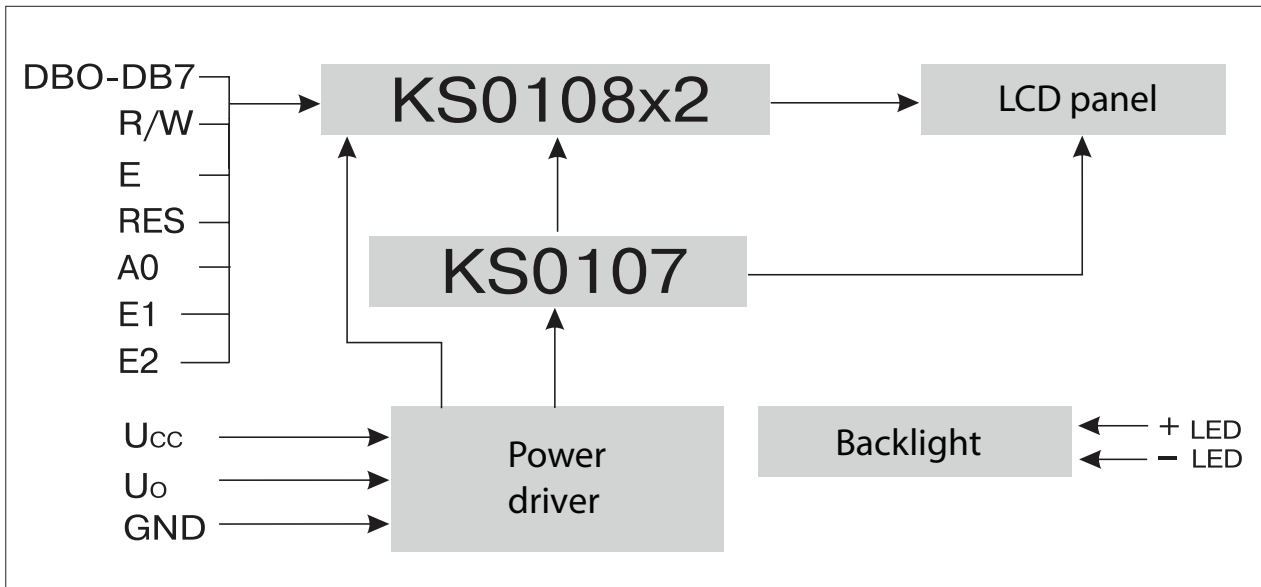
## ■ DC characteristics of the display module

Table 2. DC characteristics.

Item	Symbol	U <sub>CC</sub> =3.3V			U <sub>CC</sub> =5V			Units	
		min.	nom.	max.	min.	nom.	max.		
Supply voltage	$U_{CC-GND}$	3,0	3,3	3,6	4,5	5,0	5,5	V	
Consumption current	$I_{CC}$	–	–	450	–	–	450	$\mu A$	
Input "High" Voltage	$U_{IH}$	2,0	–	$U_{CC}$	2,0	–	$U_{CC}$	V	
	$U_{IH RES^*}$	$0,7 \cdot U_{CC}$	–	$U_{CC}$	$0,7 \cdot U_{CC}$	–	$U_{CC}$	V	
Input "Low" Voltage	$U_{IL}$	0	–	0,8	0	–	0,8	V	
	$U_{IL RES^*}$	0	–	$0,3 \cdot U_{CC}$	0	–	$0,3 \cdot U_{CC}$	V	
Output "High" Voltage at $I_{OH}=0.2$ mA	$U_{OH}$	2,4	–	–	–	–	–	V	
Output "Low" Voltage at $I_{OL}=1.6$ mA	$U_{OL}$	–	–	0,4	–	–	0,4	V	
Backlight current at backlight supply voltage U <sub>CC</sub>	For amber and yellow-green	$I_{LED}$	–	32	–	–	32	–	mA
	For white and sky-blue	$I_{LED}$	–	9	–	–	9	–	mA

\* input voltage for output RES

■ Flow chart



■ Timing diagrams

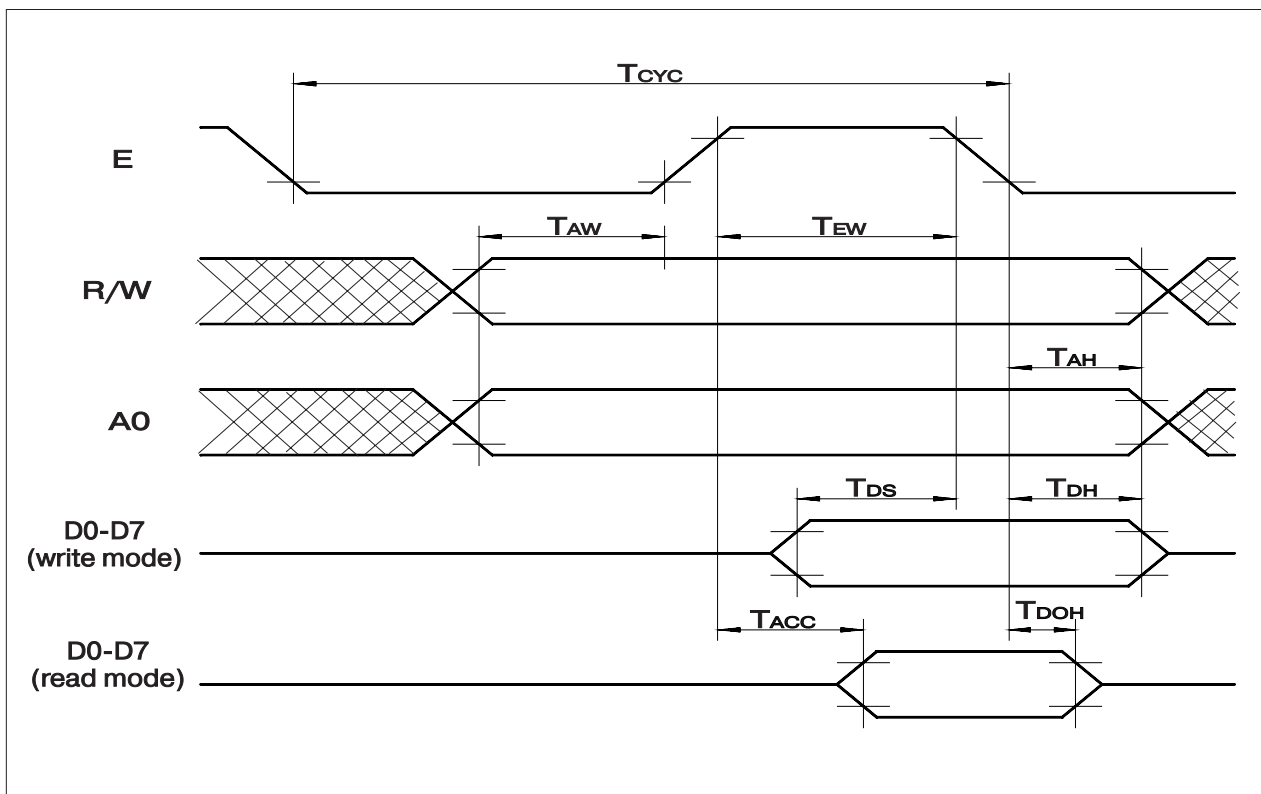


Fig. 3. Time diagrams exchange Protocol

## Description of instructions

Table 3.

Instruction	Command code										Function		
	A0	R/W	DB7	DB6	DB5	DB4	DB3	DB2	DB1	DB0			
Display ON/OFF	0	0	0	0	1	1	1	1	1	1	0/1	Sets LCD on or off, irrespective of the data in display RAM or internal status	
												1	display on
													0
Display START Line	0	0	1	1	Display START Line(0...63)						Specifies RAM line to be displayed in the top line of LCD (LCD start line)		
Set Page	0	0	1	0	1	1	1	Page (0...7)			Sets RAM page in the page address mode (page 0...7)		
Set Address	0	0	0	1	Column address (0...63)						Sets RAM column in the column address mode		
Status Read	0	1	BUSY	0	ON/OFF	RESET	0	0	0	0	Reads the display status byte		
											BUSY	1	The display module is busy with internal processing
												0	The display module is ready to work with external MP
											ON/OFF	1	LCD is off
												0	LCD is on
											RESET	1	Reset status
0	Normal status												
Write Data to RAM	1	0	Write Data								Write data to the display module RAM	These instructions select RAM at the preset address, whereupon the column address is incremented	
Read Data from RAM	1	1	Read Data								Read data from the display module RAM		

## ■ Initial setup

For initial setup of the display module it is necessary to send RES signal equal to logic '0' lasting for at least 1  $\mu$ s. Upon this signal the display module executes 'Display Start Line' (set to 0) and 'DisplayOff' instructions. After RES is deactivated (switchover to logic '1' with front duration of 200 ns max), wait for the 'BUSY' and 'RESET' bits reset in the status register of both crystals or hold at least 10  $\mu$ s pause. Now the display module will operate normally. Status can be checked even with RES signal being active (= logic '0').

## ■ RAM allocation

The display module contains RAM for storing the data displayed on 64x64 bits LCD (64x64 bits per crystal). To select the required crystal, E1 and E2 pins are used. RAM is split into 8 pages, 64x8 bits each. Each glowing dot on LCD has its corresponding logic '1' in a display module RAM cell. Correlation between the RAM addresses and the dots displayed on LCD is shown in Fig. 4.

## ■ Data reading and writing

Reading (writing) of information from (to) the display module is performed in a per-page method (64x8 bits or 64x1 byte). Each page represents 64 bytes. To read or write a data byte at an arbitrary address, the RAM page and the address inside the RAM page need to be preset. This can be done using the 'Set Page' and 'Set Address' instructions correspondingly. After that the data byte can be read or written.

In the data read mode, after the execution of the 'Set Page' and 'Set Address' instructions, a single 'no-op' read operation should be executed. The result of that operation cannot be used.

The display module supports a continuous sequence of read or write operations: after reading (writing) of one byte the address count increments automatically by 1, and the display module is ready to execute the new read (write) operation at the next address without the need for presetting RAM page and address. The column count counts only within one page! Upon achieving address 63, the next count value will be 0 and so on.

Between any two data (instructions) transmissions, it is necessary to hold at least 8  $\mu$ s pause or wait for the reset of BUSY flag in the status register of the crystal to be accessed.

## ■ Vertical displacement of displayed information

The display module supports the 'Display START Line' instruction that sets the number of the topmost displayed line. The number can be within the range of 0 to 63, which corresponds to the interval from the first line of RAM 0 page to the last line of RAM 7th page. Right after the 7th line, the 0 line will be displayed once again. This enables smooth vertical information shift on LCD through modifying the number of the first displayed line.

**RAM allocation**

Fig. 4. Correlation between the module RAM addresses and the displayed dots on LCD

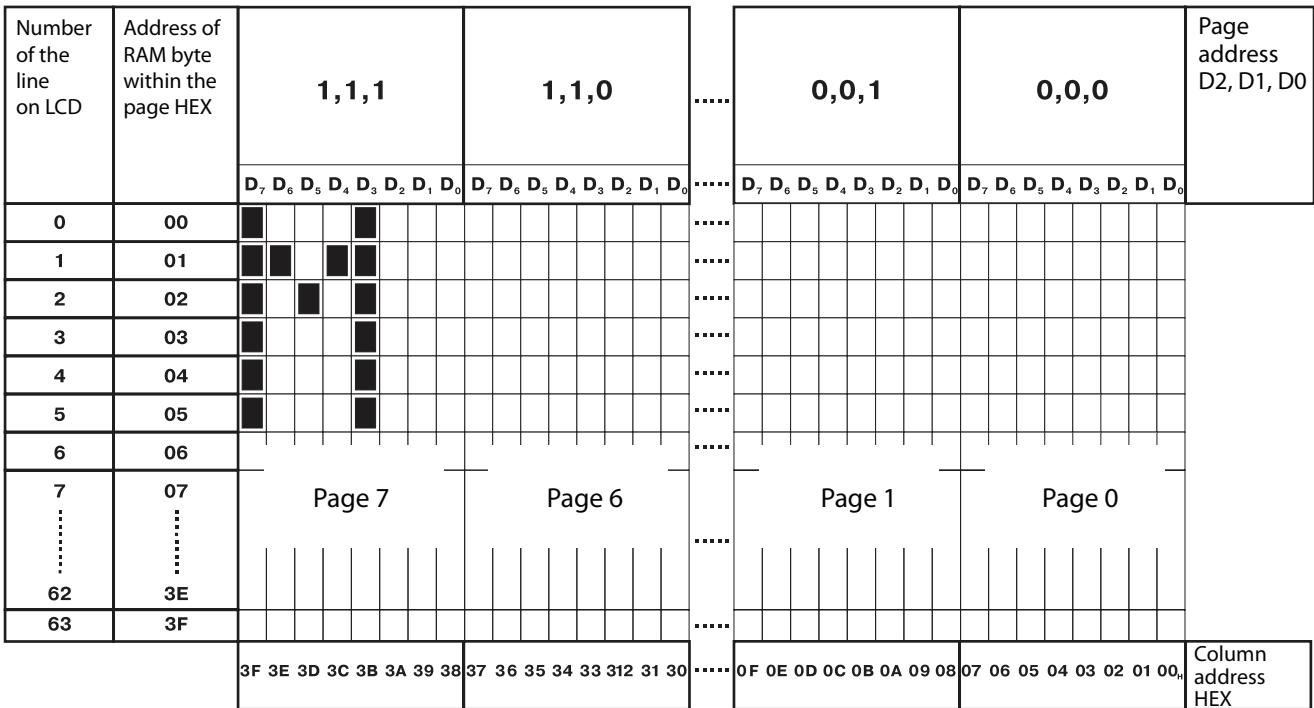


Table 4. Pinout.

Pin	Symbol	Pin assignment
1	+LED	+ of the backlight power supply
2	-LED	- of the backlight power supply
3	RES	Initialization
4-11	DB0-DB7	Data bus
12	E	Data strobing
13	A <sub>0</sub>	Choice of register data / commands
14	R/W	Read / Write
15	U <sub>0</sub>	Control backlight
16	NC	not used
17	U <sub>cc</sub>	Display module power supply
18	GND	Common pin (CP)

### ■ LCD display module dimensions

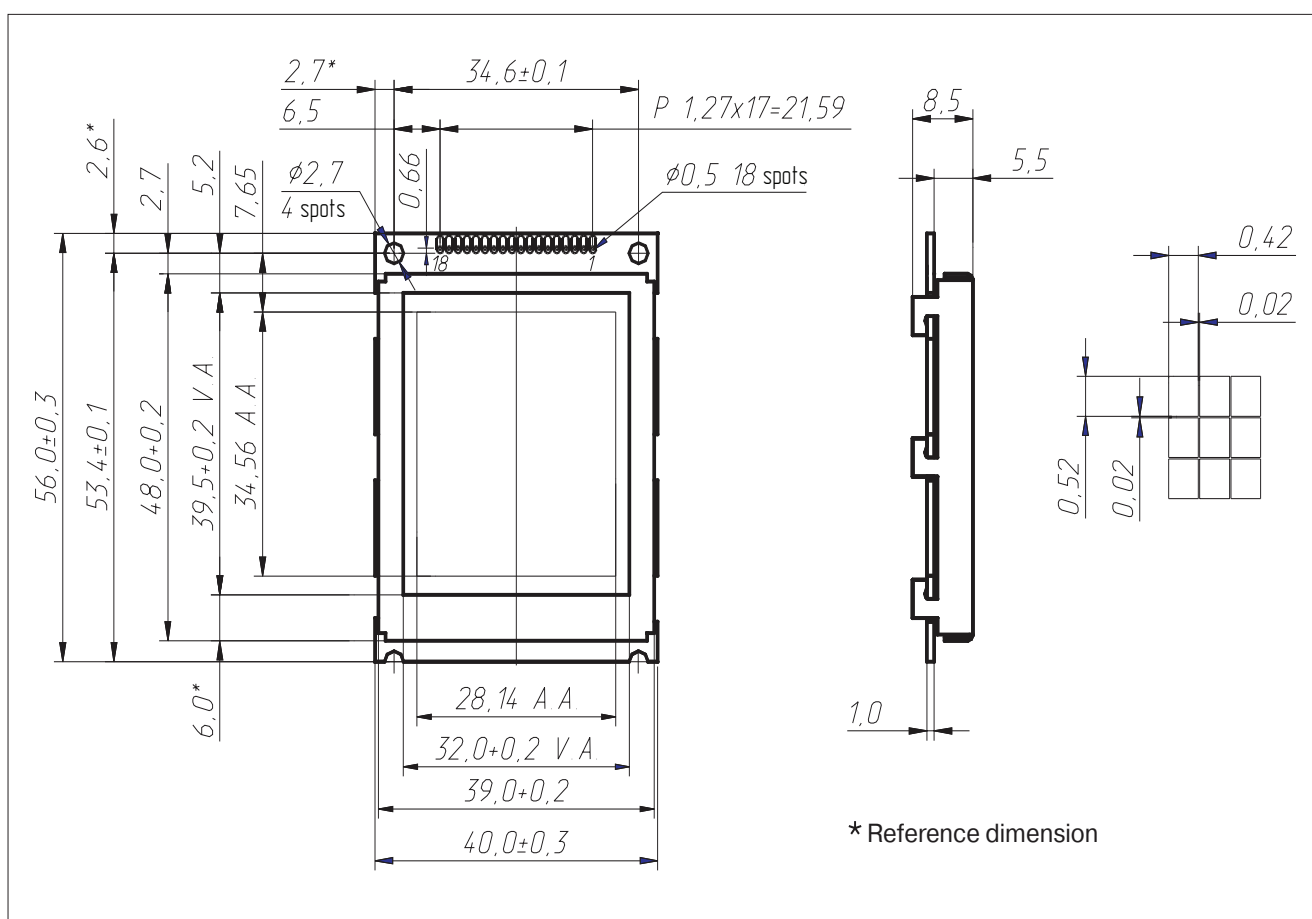


Fig. 5.

## ■ Revision history

Document version	Date	Alterations	Page
1.0	09/07/2013	Revision 1	





## MELT Co.

26 Andronovskoye Chaussee, bld. 5, Moscow

Tel./Fax: +7 (495) 662-44-14 (multichannel)

e-mail: [sales@melt.com.ru](mailto:sales@melt.com.ru)

<http://www.melt.com.ru>

MELT COPYRIGHT © 2013. All rights reserved. PCB layouts and diagrams contained herein may not be copied, duplicated, or otherwise reproduced with whatsoever means without the prior written consent of MELT Co.

The information contained herein may be modified without prior notice. MELT shall not be liable for any errors that could appear in this document, as well as for any direct or indirect losses attributable to the delivery or use of information contained herein. For the most up-to-date specifications, please, visit our server in Internet at <http://www.melt.com.ru>

MELT continuously seeks to enhance the quality and reliability of its products. However semiconductor products are prone to partial or total breakdown as a result of exposure to static electricity or mechanical loads. Therefore, in using our products, one should avoid situations when a fault or failure of MELT products could result in damage to, or loss of, personal property, or personal injury or death.

Passed for printing on July 09, 2013. A4 format.

Printed in Russia.