

客户名称(CUSTOMER)

:

型号名称(LCM CODE (Ver.))

:

ST018A6C-F10 (Ver: 0)

描述(Description)

:

1.8" a-Si TFT 液晶显示屏

客户确认:  
CUSTOMER  
APPROVED:

APPROVED BY	CHECK BY	PREPARED BY

**RECORDS OF REVISION**

Date	Rev.	Description	Note	Page
2010/05/12	0	New sample		

## **Contents**

### **1. SPECIFICATIONS**

- 1.1 Features**
- 1.2 Mechanical Specifications**
- 1.3 Absolute Maximum Ratings**
- 1.4 DC Electrical Characteristics**
- 1.5 Optical Characteristics**
- 1.6 Backlight**

### **2. MODULE STRUCTURE**

- 2.1 Counter Drawing**
- 2.2 Interface Pin Description**
- 2.3 Timing Characteristics**
- 2.4 Display Command**

### **3. INSPECTION SPECIFICATIONN**

### **4. PRECAUTION RELATING PRODUCT HANDLING**

- 4.1 Safety**
- 4.2 Handling**
- 4.3 Storage**

## 1. SPECIFICATIONS

### 1.1 Features

Item	Standard Value
Display Type	128(R+G+B) * 160 Dots
LCD Type	a-Si TFT, Positive, Transmissive
Viewing Direction	6 O'clock
Backlight	2 LED White Color
Interface	8080 MPU interface (16 bit bus)
Controller/driver IC	ST7735R

### 1.2 Mechanical Specifications

Item	Standard Value	Unit
Outline Dimension	46.7(L) x 34.7(W) x 3.65 (T)	mm
Viewing Area	40.7(L) x 30.02 (W)	mm
Active Area	39.85 (L) x 29.42(W)	mm
Pixel pitch	0.073 (H) x 0.219 (V)	mm

Note : For detailed information please refer to LCM drawing

### 1.3 Absolute Maximum Ratings

Item	Symbol	Condition	Min.	Max.	Unit
Power Supply Voltage	V <sub>DD</sub>	-	-0.3	4.6	V
LCD Driver Supply Voltage	V <sub>GH-VSS</sub>	-	-0.3	18.5	V
Input voltage	V <sub>in</sub>		-0.3	4.6	V
Operating Temperature	T <sub>OP</sub>	-	-20	+70	°C
Storage Temperature.	T <sub>ST</sub>	-	-30	+80	°C
Storage Humidity	H <sub>D</sub>	T <sub>a</sub> < 40 °C	-	90	%RH

## 1.4 DC Electrical Characteristics

 $V_{DD} = 2.4\sim 3.3V$ ,  $V_{SS} = 0V$ ,  $T_a = 25^\circ C$ 

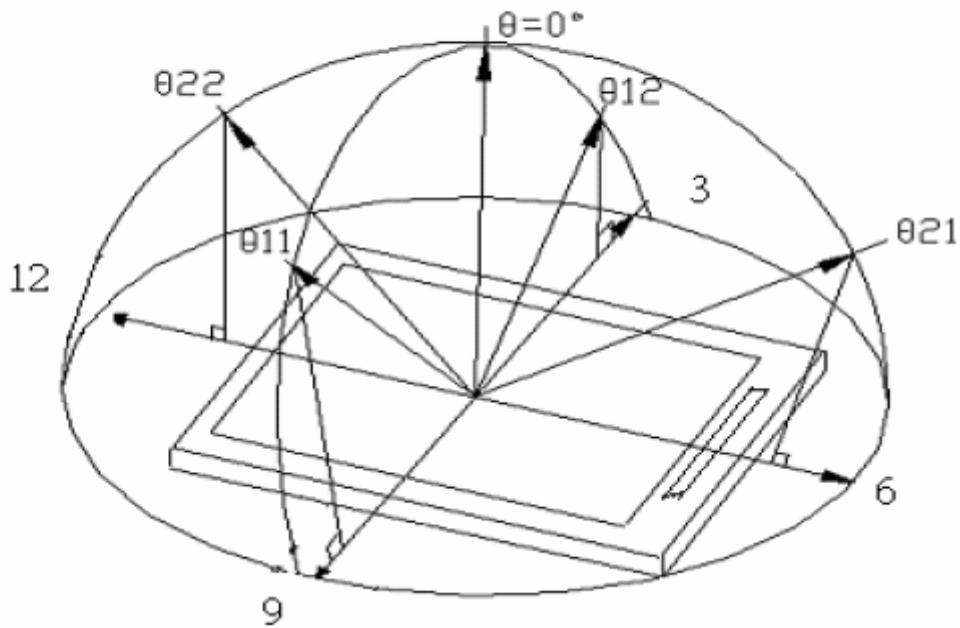
Item	Symbol	Condition	Min.	Type	Max.	Unit
Logic Supply Voltage	$V_{DD}$	-	2.4	2.8	3.3	V
“H” Input Voltage	$V_{IH}$	-	$0.8 V_{DD}$	-	$V_{DD}$	V
“L” Input Voltage	$V_{IL}$	-	$V_{SS}$	-	$0.2 V_{DD}$	V
“H” Output Voltage	$V_{OH}$	-	$V_{DD}-0.3$	-	$V_{DD}$	V
“L” Output Voltage	$V_{OL}$	-	$V_{SS}$	-	$V_{SS}+0.3$	V
Supply Current	$I_{DD}$	$V_{DD} = 2.8V$	-	4	6	mA

## 1.5 Optical Characteristics

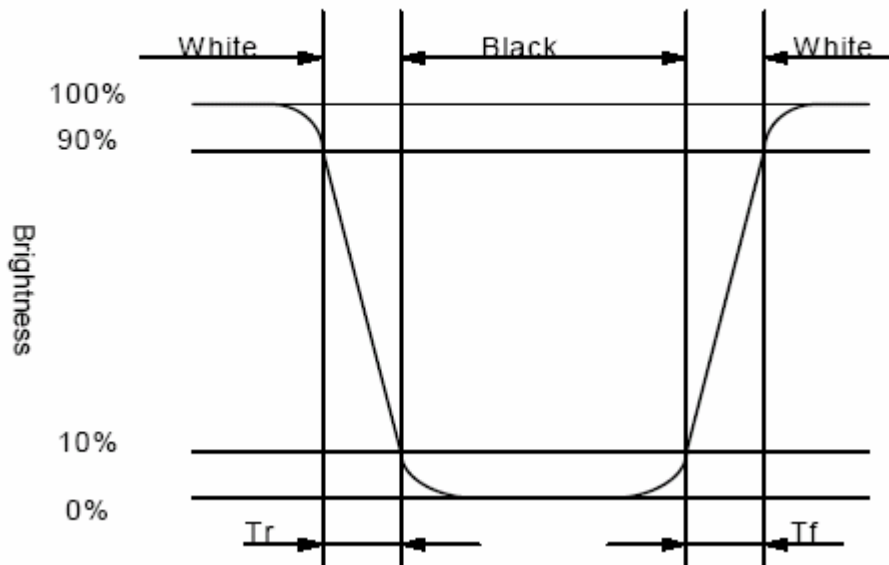
 $T_a = 25^\circ C$ 

Item	Symbol	Conditions	Min.	Typ.	Max.	Reference
View Angle	$\theta_{11}, \theta_{12}$	$C \geq 10, \varnothing = 0^\circ$	--	45	--	Note6-1
	$\theta_{21}$		--	50	--	Note6-1
	$\theta_{22}$		--	20	--	Note6-1
Contrast Ratio	C	$\theta = 0^\circ, \varnothing = 0^\circ$	-	300	-	--
Response Time(rise)	$t_r$	$\theta = 0^\circ, \varnothing = 0^\circ$	-	10ms	-	Note6-3
Response Time(fall)	$t_f$	$\theta = 0^\circ, \varnothing = 0^\circ$	-	20ms	-	Note6-3
Luminance	B	$\theta = 0^\circ \text{ \& } \varnothing = 0^\circ$	-	180	-	$cd/m^2$

Note 6-1 : The definitions of viewing angles



Note 6-3 : The definition of response time :



## 1.6 Backlight & LED Characteristics

### Maximum Ratings

Item	Symbol	Conditions	Min.	Max.	Unit
Forward Current	IF	Ta =25℃	-	20 (1 LED)	mA
Reverse Voltage	VR	Ta =25℃	-	5	V
Power Dissipation	PO	Ta =25℃	-	198	mW
Operating Temperature	T <sub>OP</sub>	-	-20	70	℃
Storage Temperature	T <sub>ST</sub>	-	-30	80	℃
Solder Temp. for 3 Seconds	-	-	-	260	℃

### Electrical / Optical Characteristics

VSS = 0V, Ta =25℃

Item	Symbol	Conditions	Min.	Typ.	Max.	Unit
Forward Voltage	VF	IF= 15mA*2	2.8	3.3	3.5	V
Reverse Current	IR	VR= 5V	-	-	50	uA
Average Brightness (without LCD)	IV	IF= 15mA*2	-	3500	-	cd/m <sup>2</sup>
CIE Color Coordinate (without LCD)	X	IF= 15mA*2	0.260	-	0.310	—
	Y		0.260	-	0.310	
Color	WHITE					

\*1 This value will be changed while mass production.





## 2.2 Interface Pin Description

NO	SYMBOL	FUNCTION
1	GND	GROUND
2	LCD_VDD	POWER SUPPLY
3	CSB	Chip select signal ("L" →Active)
4	RESRETS	Chip reset signal ("L" →Active)
5	RS	Data / Command select signal("L"→ register index; "H"→data)
6	WRB	Write signal ("L" →Active) If not used, please fix this pin at GND level.
7	NC/RDB	Read signal ("L" →Active)
8-23	DB0-DB15	DATA BUS
24	XL	TOUCH PANEL PIN
25	YU	TOUCH PANEL PIN
26	XR	TOUCH PANEL PIN
27	YD	TOUCH PANEL PIN
28	LEDA	BACK LIGHT A
29	LEDK	BACK LIGHT K
30	GND	GROUND

## 2.3 Timing Characteristics

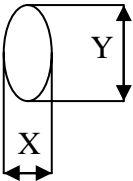
Please refer to ST7735R DATASHEET.

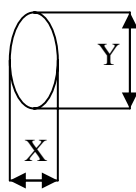
## 2.4 Display Command

Please refer to ST7735R DATASHEET.

## 3. INSPECTION SPECIFICATION

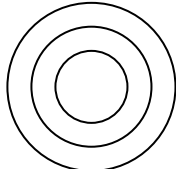
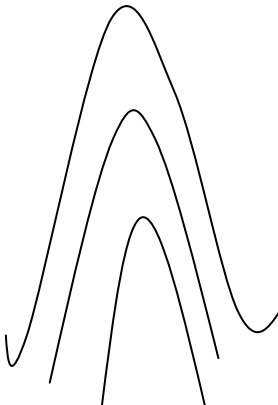
NO.	项目 Item	经验标准 Inspection Standard	判断 Result	备注 Note
1	整体功能 All functional defects	1) 不显示 No display 2) 显示异常 Display abnormally 3) 缺划(横或竖, 横&竖) Missing vertical, horizontal segment 4) 短路 Short circuit 5) 背光不亮或闪烁 Backlight no lighting, flickering and abnormal lighting.	不允许 Reject	
2	缺失 Missing	少成分 Missing component	不允许 Reject	
3	外观尺寸 Outline dimension	同 CD 图 Overall outline dimension beyond the drawing is not allowed		

NO.	项目 Item	检验标准 Inspection Standard	备注 Note																					
4	清楚的黑白点 Clear Spots	$\phi = (X+Y) / 2$  <p>A: AA 区 (显示区) B: VA 区 (可视区) C: 可视区以外(Out of VA)</p> <table border="1" data-bbox="459 1464 1054 1854"> <thead> <tr> <th rowspan="2">区域 Zone 尺寸 Size</th> <th colspan="3">接受个数 Acceptable Quantity</th> </tr> <tr> <th>A</th> <th>B</th> <th>C</th> </tr> </thead> <tbody> <tr> <td><math>\phi \leq 0.1\text{mm}</math></td> <td colspan="3">Ignore</td> </tr> <tr> <td><math>0.1\text{mm} &lt; \phi \leq 0.2\text{mm}</math></td> <td colspan="2">3</td> <td rowspan="3">Ignore</td> </tr> <tr> <td><math>0.2\text{mm} &lt; \phi \leq 0.25\text{mm}</math></td> <td colspan="2">2</td> </tr> <tr> <td><math>\phi &gt; 0.25\text{mm}</math></td> <td colspan="2">0</td> </tr> </tbody> </table>	区域 Zone 尺寸 Size	接受个数 Acceptable Quantity			A	B	C	$\phi \leq 0.1\text{mm}$	Ignore			$0.1\text{mm} < \phi \leq 0.2\text{mm}$	3		Ignore	$0.2\text{mm} < \phi \leq 0.25\text{mm}$	2		$\phi > 0.25\text{mm}$	0		
区域 Zone 尺寸 Size	接受个数 Acceptable Quantity																							
	A	B	C																					
$\phi \leq 0.1\text{mm}$	Ignore																							
$0.1\text{mm} < \phi \leq 0.2\text{mm}$	3		Ignore																					
$0.2\text{mm} < \phi \leq 0.25\text{mm}$	2																							
$\phi > 0.25\text{mm}$	0																							

NO.	项目 Item	检验标准 Inspection Standard	备注 Note																												
5	不明显的黑白点 Dim Spots	$\phi = (X+Y) / 2$ <div style="display: flex; align-items: center;"> <div style="margin-right: 20px;"> <p>A: AA 区 (显示区)</p> <p>B: VA 区 (可视区)</p> <p>C: 可视区以外(Out of V.A.)</p> </div>  </div> <table border="1" style="width: 100%; border-collapse: collapse; text-align: center;"> <thead> <tr> <th rowspan="2" style="width: 40%;">区域 Zone 尺寸 Size</th> <th colspan="3">接受个数 Acceptable Quantit</th> </tr> <tr> <th style="width: 15%;">A</th> <th style="width: 15%;">B</th> <th style="width: 15%;">C</th> </tr> </thead> <tbody> <tr> <td><math>\phi \leq 0.3\text{mm}</math></td> <td colspan="3">Ignore</td> </tr> <tr> <td><math>0.3\text{mm} &lt; \phi \leq 0.6\text{mm}</math></td> <td colspan="2">2</td> <td rowspan="2">Ignore</td> </tr> <tr> <td><math>\phi &gt; 0.6\text{mm}</math></td> <td colspan="2">0</td> </tr> </tbody> </table>	区域 Zone 尺寸 Size	接受个数 Acceptable Quantit			A	B	C	$\phi \leq 0.3\text{mm}$	Ignore			$0.3\text{mm} < \phi \leq 0.6\text{mm}$	2		Ignore	$\phi > 0.6\text{mm}$	0												
区域 Zone 尺寸 Size	接受个数 Acceptable Quantit																														
	A	B	C																												
$\phi \leq 0.3\text{mm}$	Ignore																														
$0.3\text{mm} < \phi \leq 0.6\text{mm}$	2		Ignore																												
$\phi > 0.6\text{mm}$	0																														
6	线不良 Line defect	<table border="1" style="width: 100%; border-collapse: collapse; text-align: center;"> <thead> <tr> <th colspan="2">尺寸 Size (mm)</th> <th colspan="3">接受个数 Acceptable Quantity</th> </tr> <tr> <th style="width: 25%;">L (Length)</th> <th style="width: 25%;">W (width)</th> <th style="width: 15%;">A</th> <th style="width: 15%;">B</th> <th style="width: 15%;">C</th> </tr> </thead> <tbody> <tr> <td>Ignore</td> <td><math>W \leq 0.03</math></td> <td colspan="3">Ignore</td> </tr> <tr> <td><math>L &lt; 5.0</math></td> <td><math>0.03 &lt; W \leq 0.05</math></td> <td colspan="2">2</td> <td rowspan="2">Ignore</td> </tr> <tr> <td></td> <td><math>0.05 &lt; W</math></td> <td colspan="2">以脏污论 Define as spot defect</td> </tr> </tbody> </table>	尺寸 Size (mm)		接受个数 Acceptable Quantity			L (Length)	W (width)	A	B	C	Ignore	$W \leq 0.03$	Ignore			$L < 5.0$	$0.03 < W \leq 0.05$	2		Ignore		$0.05 < W$	以脏污论 Define as spot defect						
尺寸 Size (mm)		接受个数 Acceptable Quantity																													
L (Length)	W (width)	A	B	C																											
Ignore	$W \leq 0.03$	Ignore																													
$L < 5.0$	$0.03 < W \leq 0.05$	2		Ignore																											
	$0.05 < W$	以脏污论 Define as spot defect																													
7	偏光片刮伤 Polarizer Scratch	<table border="1" style="width: 100%; border-collapse: collapse; text-align: center;"> <thead> <tr> <th colspan="2">尺寸 Size (mm)</th> <th colspan="3">Acceptable Quantity</th> </tr> <tr> <th style="width: 25%;">L (Length)</th> <th style="width: 25%;">W (width)</th> <th style="width: 15%;">A</th> <th style="width: 15%;">B</th> <th style="width: 15%;">C</th> </tr> </thead> <tbody> <tr> <td>Ignore</td> <td><math>W \leq 0.03</math></td> <td colspan="3">Ignore</td> </tr> <tr> <td><math>L \leq 10</math></td> <td><math>0.03 &lt; W \leq 0.05</math></td> <td colspan="2">2</td> <td rowspan="3">Ignore</td> </tr> <tr> <td><math>L &lt; 5.0</math></td> <td><math>0.05 &lt; W \leq 0.08</math></td> <td colspan="2">1</td> </tr> <tr> <td></td> <td><math>0.08 &lt; W</math></td> <td colspan="2">0</td> </tr> </tbody> </table>	尺寸 Size (mm)		Acceptable Quantity			L (Length)	W (width)	A	B	C	Ignore	$W \leq 0.03$	Ignore			$L \leq 10$	$0.03 < W \leq 0.05$	2		Ignore	$L < 5.0$	$0.05 < W \leq 0.08$	1			$0.08 < W$	0		
尺寸 Size (mm)		Acceptable Quantity																													
L (Length)	W (width)	A	B	C																											
Ignore	$W \leq 0.03$	Ignore																													
$L \leq 10$	$0.03 < W \leq 0.05$	2		Ignore																											
$L < 5.0$	$0.05 < W \leq 0.08$	1																													
	$0.08 < W$	0																													

8	偏光片与玻璃间气泡 Polarize Air bubble	区域 Zone		接受个数 Acceptable Quantity		
		尺寸 Size		A	B	C
		$\phi \leq 0.2\text{mm}$		Ignore		
		$0.2\text{mm} < \phi \leq 0.3\text{mm}$		2		
		$0.3\text{mm} < \phi \leq 0.5\text{mm}$		1		
$\phi > 0.5\text{mm}$		0			Ignore	

牛顿环/干涉纹 Newton Ring

NO.	项目 Item	检验标准 Inspection Standard	备注 Note
9	规则 Inerratic	<p>1. 在整个触摸屏检查区域内（可视区）超过 1/3 范围, 不可; When Newton ring dimension is more than 1/3 of sample dimension, it is regarded as a defect.</p> <p>2. 直径<math>\leq 5\text{mm}</math>, 且在整个触摸屏检查区（可视区）域小于 1/3 范围, 不影响透过率及失真; 不计 When Newton ring dimension is less than 1/3 of sample dimension is not affect font effect and line distortion under a ceiling fluorescent light, it is acceptable.</p>	
10	不规则 Atactic	<p>1. 在照明环境下牛顿环有影响清晰度和透过率, 失真; 不可。As long as Newton ring affects font effect and line distortion under a ceiling fluorescent light, it is regarded as a defect.</p> <p>在整个触摸屏检查区域(可视区)内, 超过 1/2, 不可。 <math>\phi \leq 10\text{mm}</math>; 不计。 When <math>\phi \leq 10\text{mm}</math>, it is acceptable</p>	

## 4. PRECAUTION RELATING PRODUCT HANDLING

### 4.1 SAFETY

- 4.1.1 If the LCD panel breaks , be careful not to get the liquid crystal to touch your skin.
- 4.1.2 If the liquid crystal touches your skin or clothes , please wash it off immediately by using soap and water.

### 4.2 HANDLING

- 4.2.1 Avoid any strong mechanical shock which can break the glass.
- 4.2.2 Avoid static electricity which can damage the CMOS LSI—When working with the module, be sure to ground your body and any electrical equipment you may be using.
- 4.2.3 Do not remove the panel or frame from the module.
- 4.2.4 The polarizing plate of the display is very fragile. So , please handle it very carefully, Do not touch, push or rub the exposed polarizing with anything harder than an HB pencil lead (glass , tweezers , etc.)
- 4.2.5 Do not wipe the polarizing plate with a dry cloth, as it may easily scratch the Surface of plate.
- 4.2.6 Do not touch the display area with bare hands , this will stain the display area.
- 4.2.7 Do not use ketonic solvent & aromatic solvent. Use with a soft cloth soaked with A cleaning naphtha solvent.
- 4.2.8 To control temperature and time of soldering is  $280 \pm 10^{\circ}\text{C}$  and 3-5 sec.
- 4.2.9 To avoid liquid (include organic solvent) stained on LCM.

### 4.3 STORAGE

- 4.3.1 Store the panel or module in a dark place where the temperature is  $25^{\circ}\text{C} \pm 5^{\circ}\text{C}$  and the humidity is below 65% RH.
- 4.3.2 Do not place the module near organics solvents or corrosive gases.
- 4.3.3 Do not crush, shake , or jolt the module.