



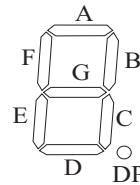
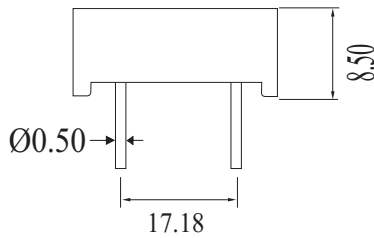
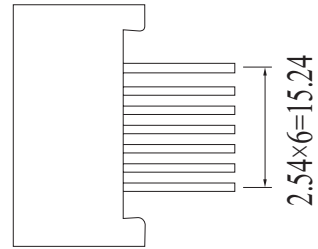
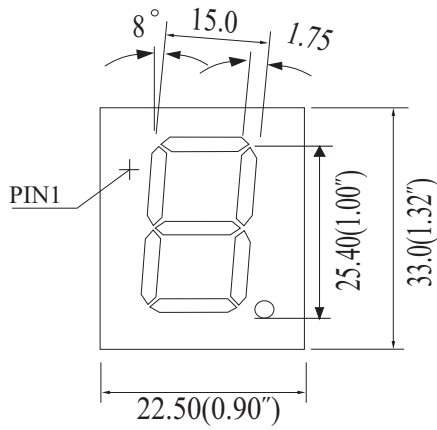
TOYO LED ELECTRONICS LIMITED

<http://www.toyo-led.com>

e-mail: sales@toyo-led.com

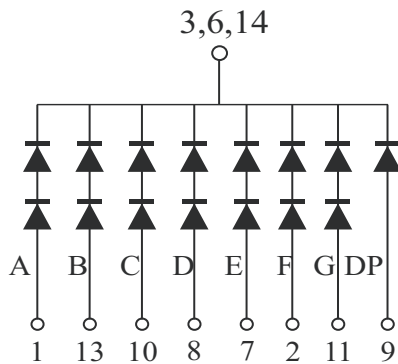
PACKAGE DIMENSION

E11003

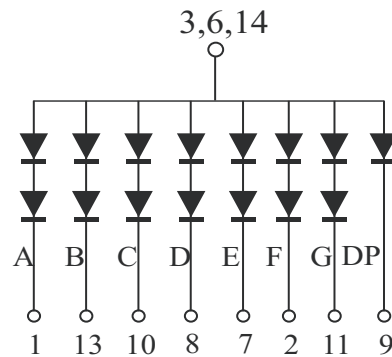


UNIT: MM(INCH) TOLERANCE: ±0.25(0.01")

INTERNAL CIRCUIT DIAGRAM



4, 5 & 12 NO PIN
CODE J1



4, 5 & 12 NO PIN
CODE G1