



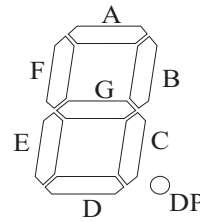
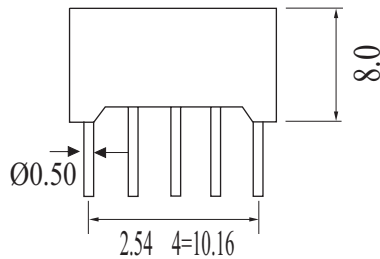
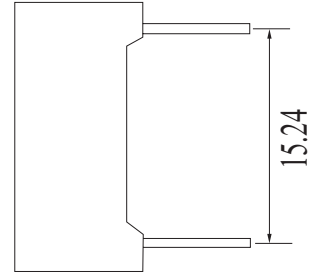
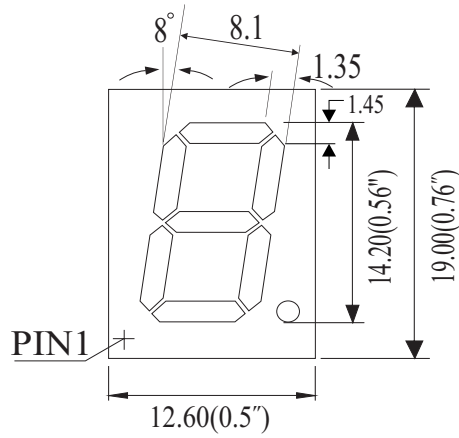
# TOYO LED ELECTRONICS LIMITED

<http://www.toyo-led.com>

e-mail: [sales@toyo-led.com](mailto:sales@toyo-led.com)

## PACKAGE DIMENSION

E10562



UNIT: MM(INCH) TOLERANCE:  $\pm 0.25(0.01\text{'})$

## INTERNAL CIRCUIT DIAGRAM

